

# Coupling system (deep underslung)

## Order form

Enquiry

Order

Customer: \_\_\_\_\_

Contact person: \_\_\_\_\_

Postcode / City: \_\_\_\_\_

Country: \_\_\_\_\_

Commission no.: \_\_\_\_\_

Tel: \_\_\_\_\_

Quantity: \_\_\_\_\_

E-mail (Fax): \_\_\_\_\_

Requested supply date: \_\_\_\_\_

Trailer Coupling	K:	Indication kits*	
RF50 AM	360	1,2 or 3	
RF50 AM JK (jack knifing)	360	2 or 3	
RF40-G150 AM	360	1,2 or 3	

Indication kits	
<b>Indication outside the driver's cabin</b>	
1 RINGFEDER® outCab locking indicator	
<b>Indication in the driver's cabin</b>	
	cable lengths
	12 m      16 m
2 RINGFEDER® indication kit	
3 RINGFEDER® indication kit complete	

Type of operation	
Duomatic	
Palm	
C-Coupling	
Valve box	

Supply connector bracket	
Yes	
No	

\* The selection of an indication kit is mandatory

Type:	Width (B):	Side plates		
		Free usable plate height (FH): / Height (H):	Gmax	Gmin
EDF250	350	415 / 500	255	245
		455 / 540	295	
		495 / 580	300	
EDF300	375	515 / 600	355	300
		545 / 630	380	
	400	515 / 600	355	
		545 / 630	380	
		585 / 670	380	
		645 / 730	460	
EDF350	450	645 / 730	460	380
		665 / 750	460	

Vehicle type\*: \_\_\_\_\_

Type specimen\*: \_\_\_\_\_

### Characteristic values of vehicle combination:

D value: \_\_\_\_\_ kN

Dc value: \_\_\_\_\_ kN

V value: \_\_\_\_\_ kN

Vertical load (S): \_\_\_\_\_ kg

### Dimensions:

LW: \_\_\_\_\_ mm

BH: \_\_\_\_\_ mm

RPH: \_\_\_\_\_ mm

SP: \_\_\_\_\_ mm

A1: \_\_\_\_\_ mm

A2: \_\_\_\_\_ mm

Frame mounting hole pattern possible on request for an additional price.

UK\*: \_\_\_\_\_ mm

Include sketch or drawing of chassis!

\*Mandatory for enquiries regarding hole pattern!

### Assembly:

Standard as illustrated

Side plate turned around 180°

Not mounted

Hot zinc

EC (black)

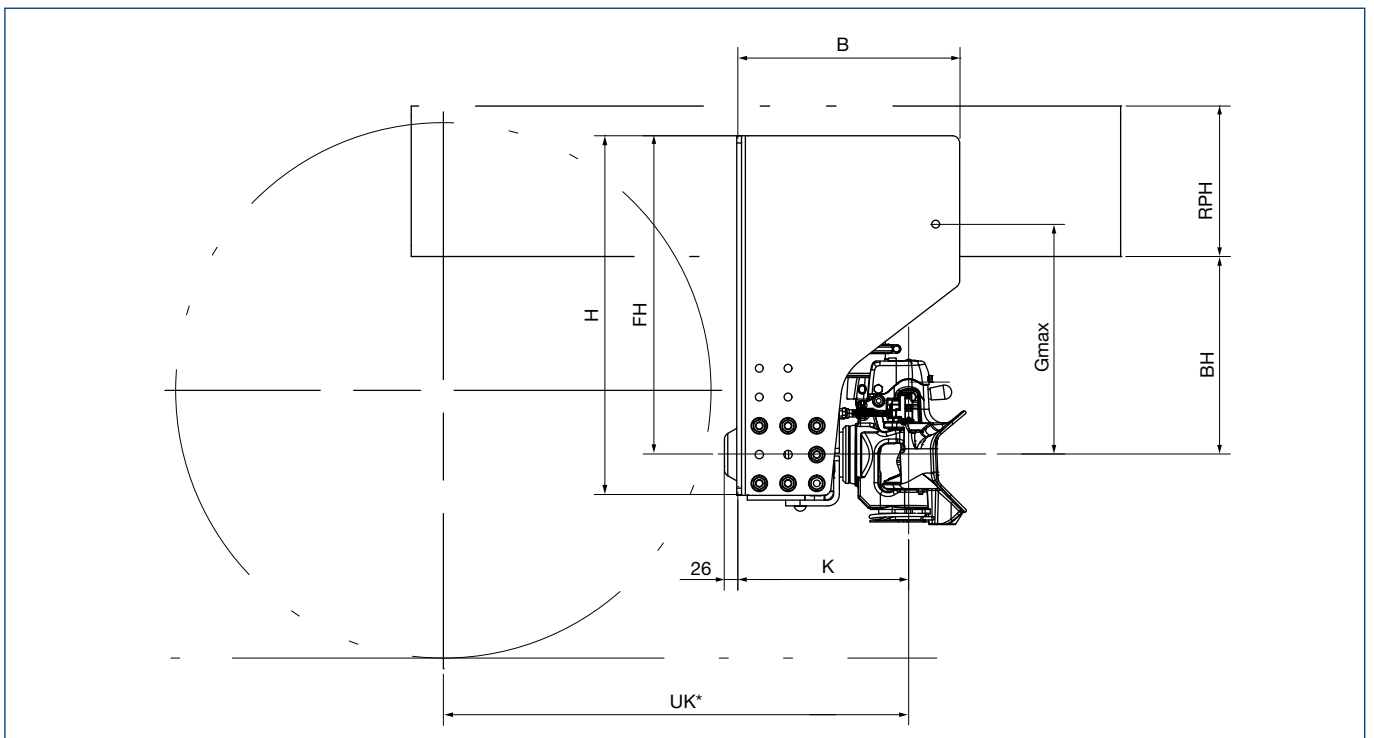
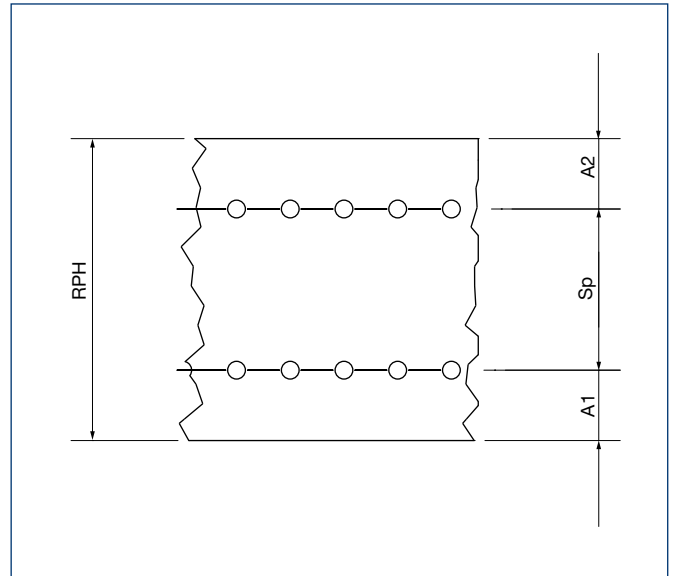
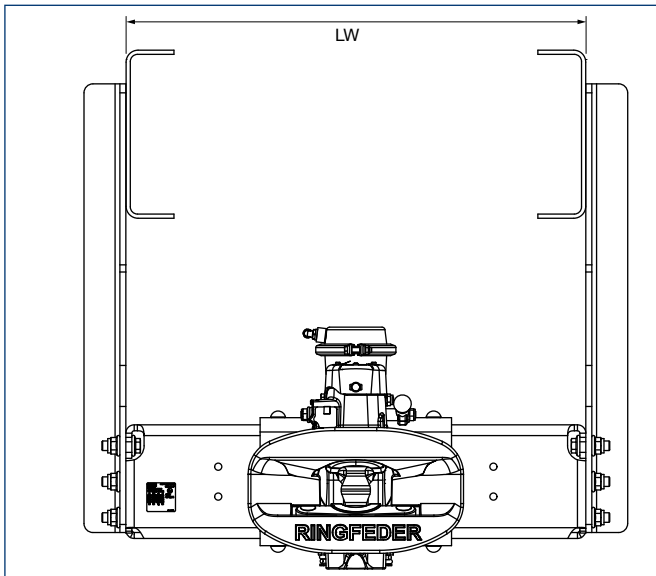


### Personal responsibility of the vehicle manufacturer or consumer:

The relevant statutory regulations of the country where the equipment is put into circulation, the installation guidelines of the corresponding vehicle manufacturer and the assembly and operating instructions of the manufacturer for the above equipment for the installation must be complied with.

# Coupling system (deep underslung)

## Technical information



Subject to technical changes - 10/ 2021