

Low coupling system

Order form


 Enquiry

 Order

Customer: _____

Contact person: _____

Postcode / City: _____

Country: _____

Commission no.: _____

Tel: _____

Quantity: _____

E-mail (Fax): _____

Requested supply date: _____

Coupling			Type of operation:		Accessories:		Side plates					
Ringfeder	K:	Type:					Width (B):	Free usable plate height (FH) / Height (H):	Gmax	Gmin		
Without			AM/RL:		Cable set		EDF250	350	415 / 500	255	245	
4040/G150 AM/RL	360		Palm		12m				455 / 540	295		
			Duo						495 / 580	300		
5050AM/RL	360		C		16m		EDF300	375	515 / 600	355	300	
5055AS	360		Valve box		without				545 / 630	380		
5055AM/RL	360		Without		Supply connector plate				400	515 / 600		355
			AS:							545 / 630		380
5055AP	360		Lever operation		Yes			585 / 670	380			
			Without		No		EDF350	450	645 / 730	460	380	
									665 / 750	460		

Vehicle type*: _____

Type specimen*: _____

Characteristic values of vehicle combination:

D value: _____ kN

Dc value: _____ kN

V value: _____ kN

Vertical load (S): _____ kg

Dimensions:

LW: _____ mm

BH: _____ mm

RPH: _____ mm

SP: _____ mm

A1: _____ mm

A2: _____ mm

Frame mounting hole pattern possible on request for an additional price.

UK*: _____ mm

Include sketch or drawing of chassis!

*Mandatory for enquiries regarding hole pattern!

Assembly: Standard as illustrated Side plate turned around 180° Not mounted



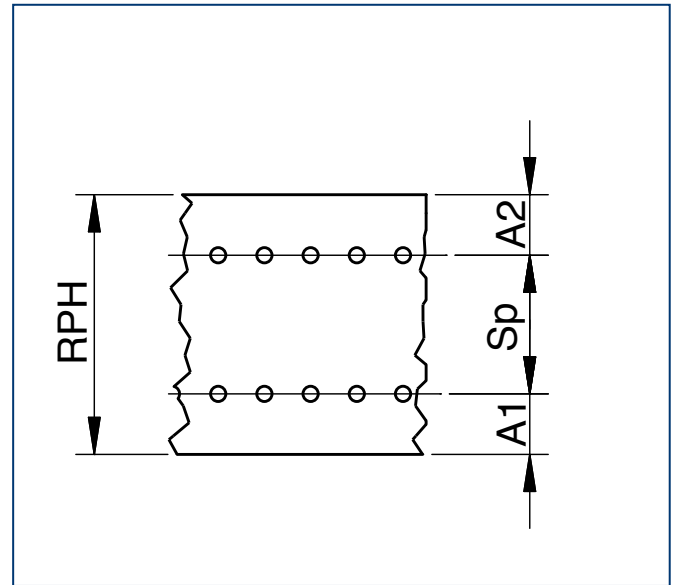
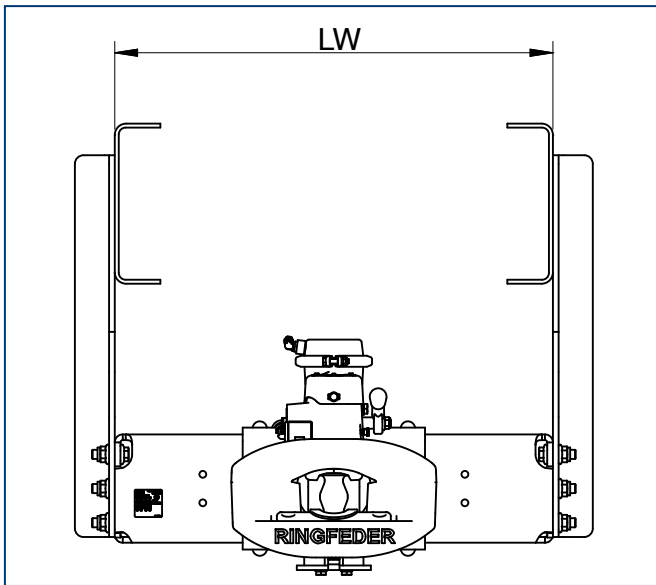
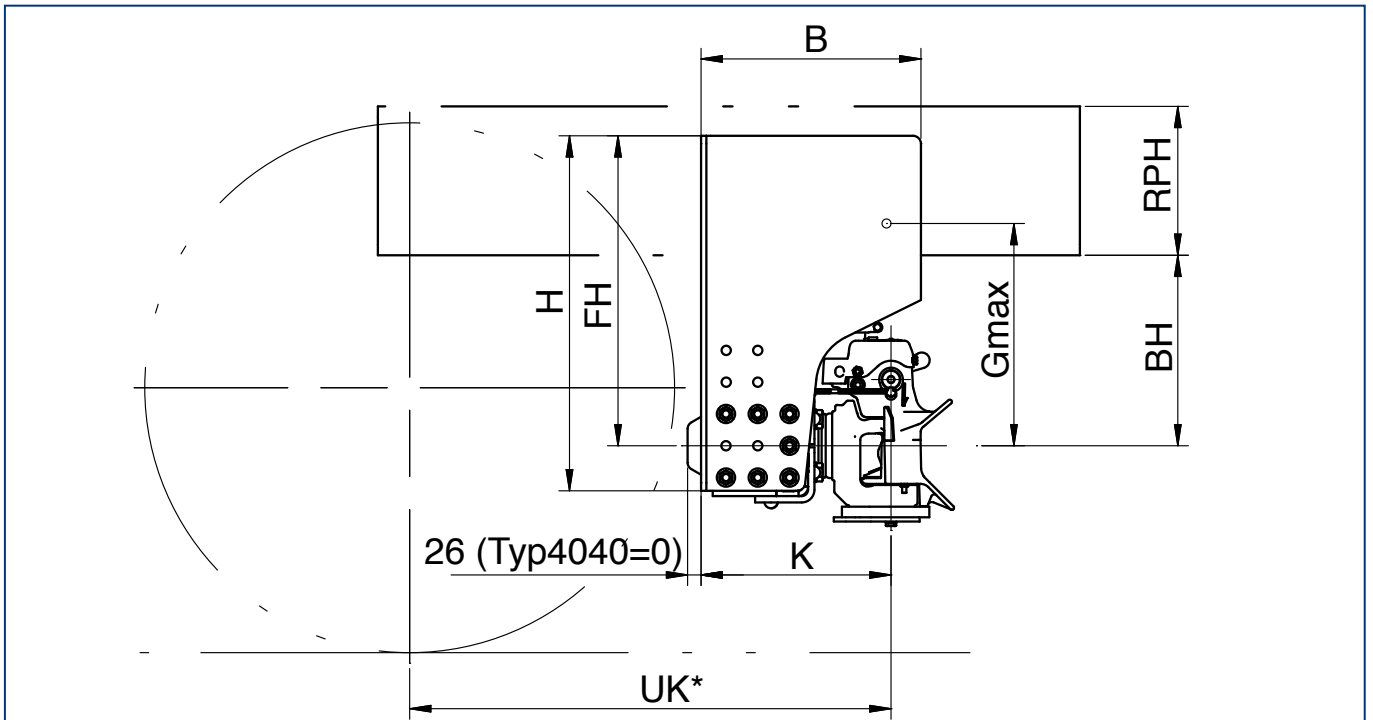
Personal responsibility of the vehicle manufacturer or consumer:

The relevant statutory regulations of the country where the equipment is put into circulation, the installation guidelines of the corresponding vehicle manufacturer and the assembly and operating instructions of the manufacturer for the above equipment for the installation must be complied with.

Technical information page 2

Low coupling system

Technical information



Subject to technical changes · 08/2014