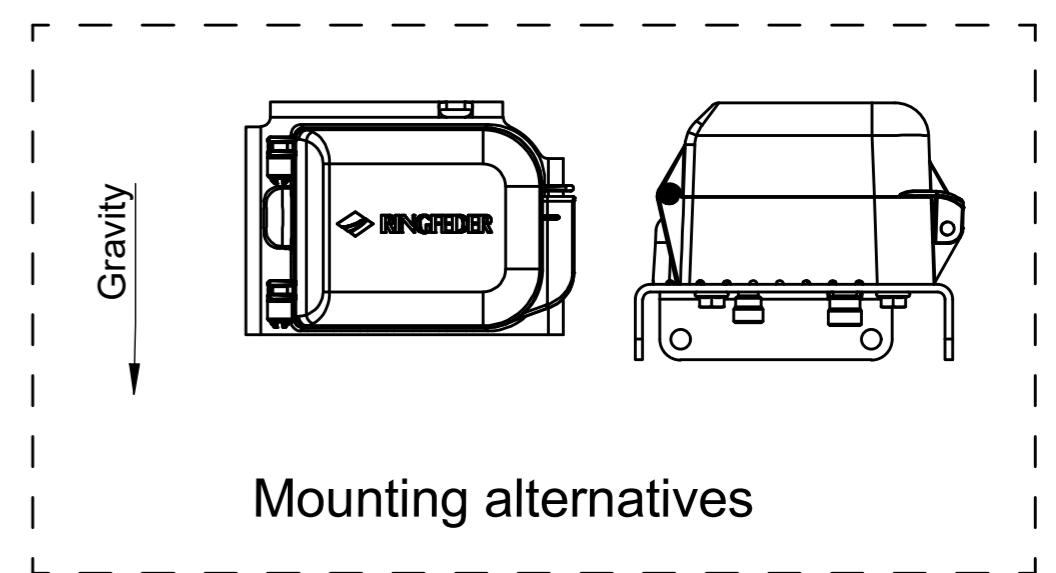
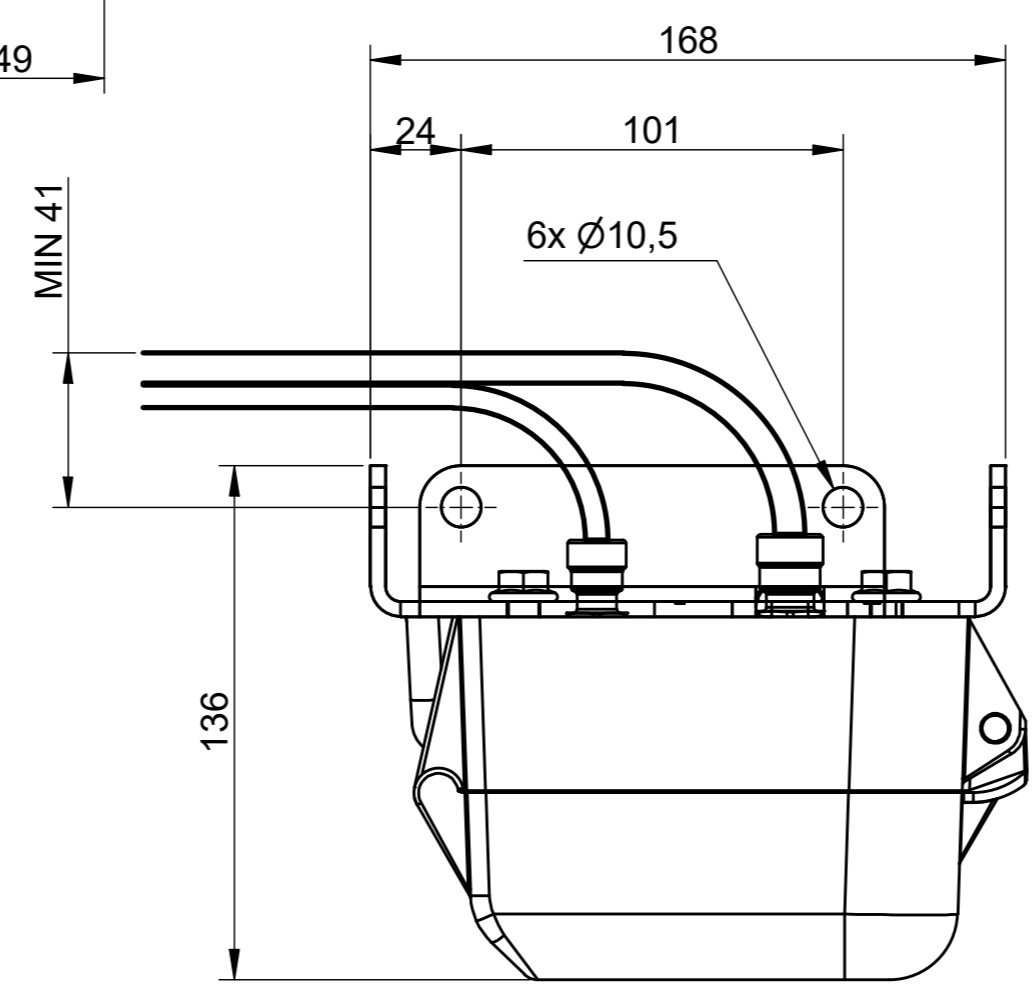
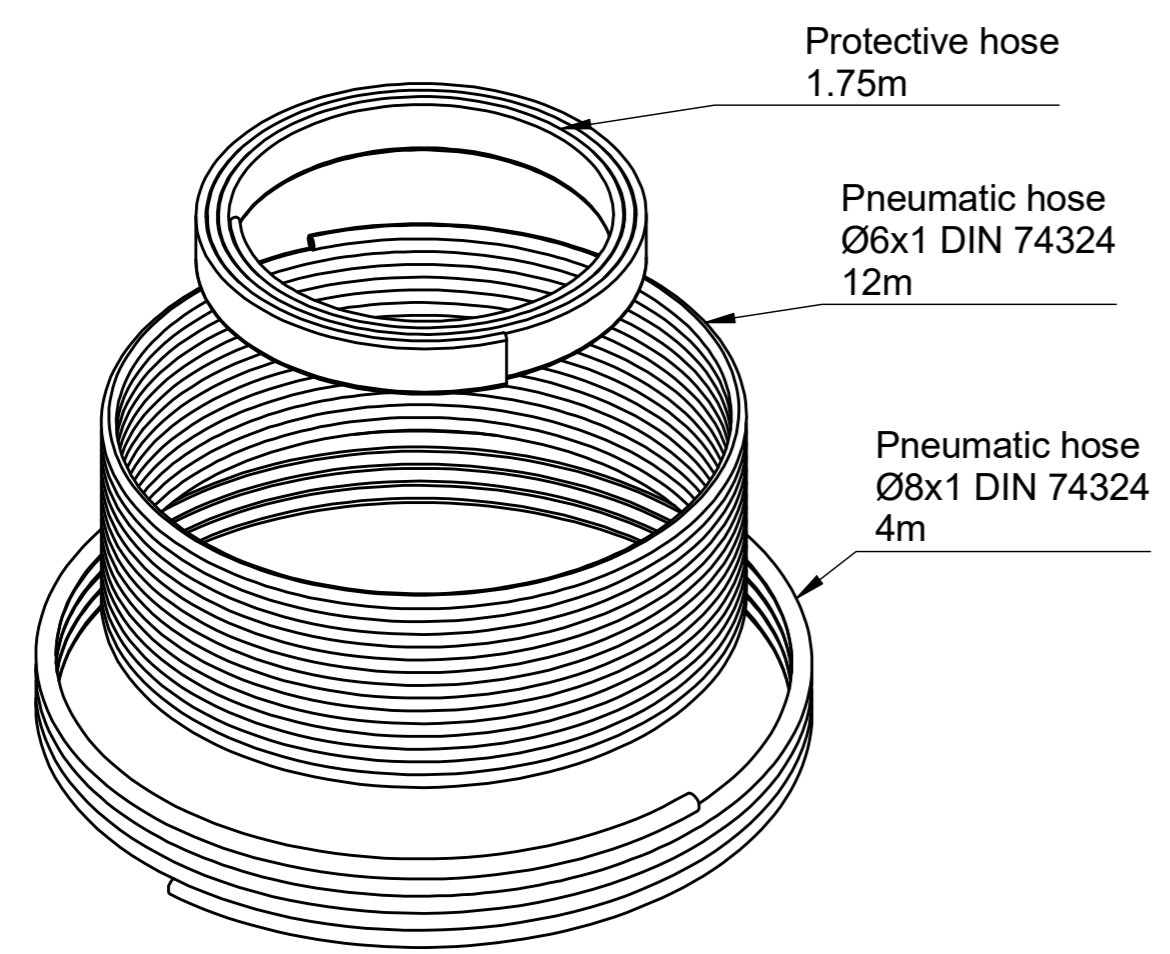
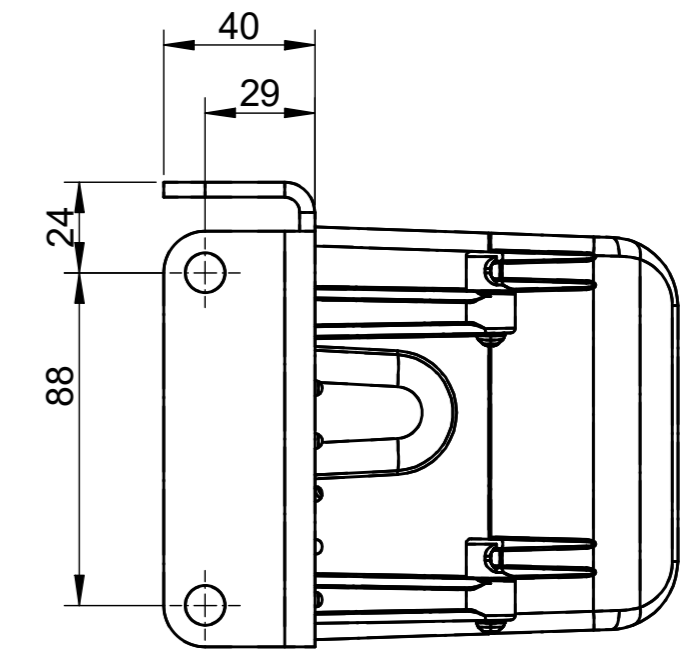
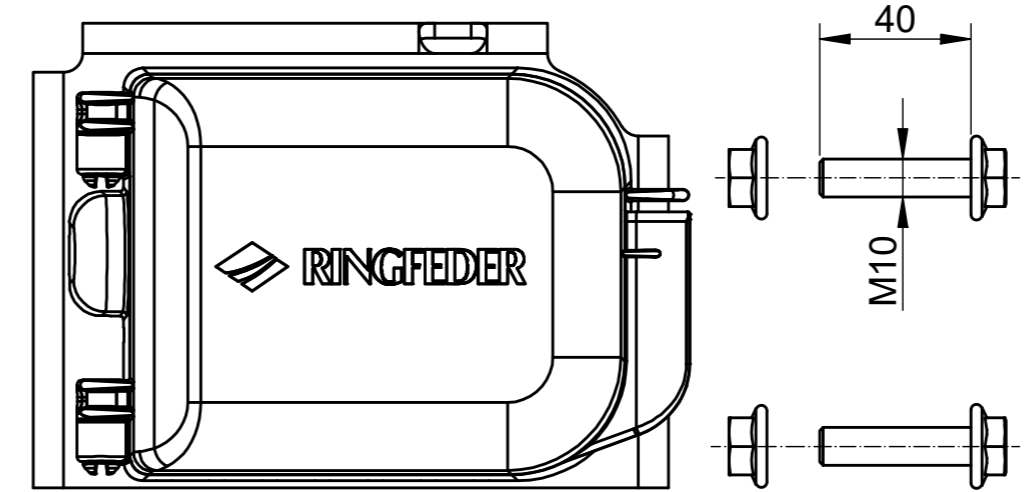
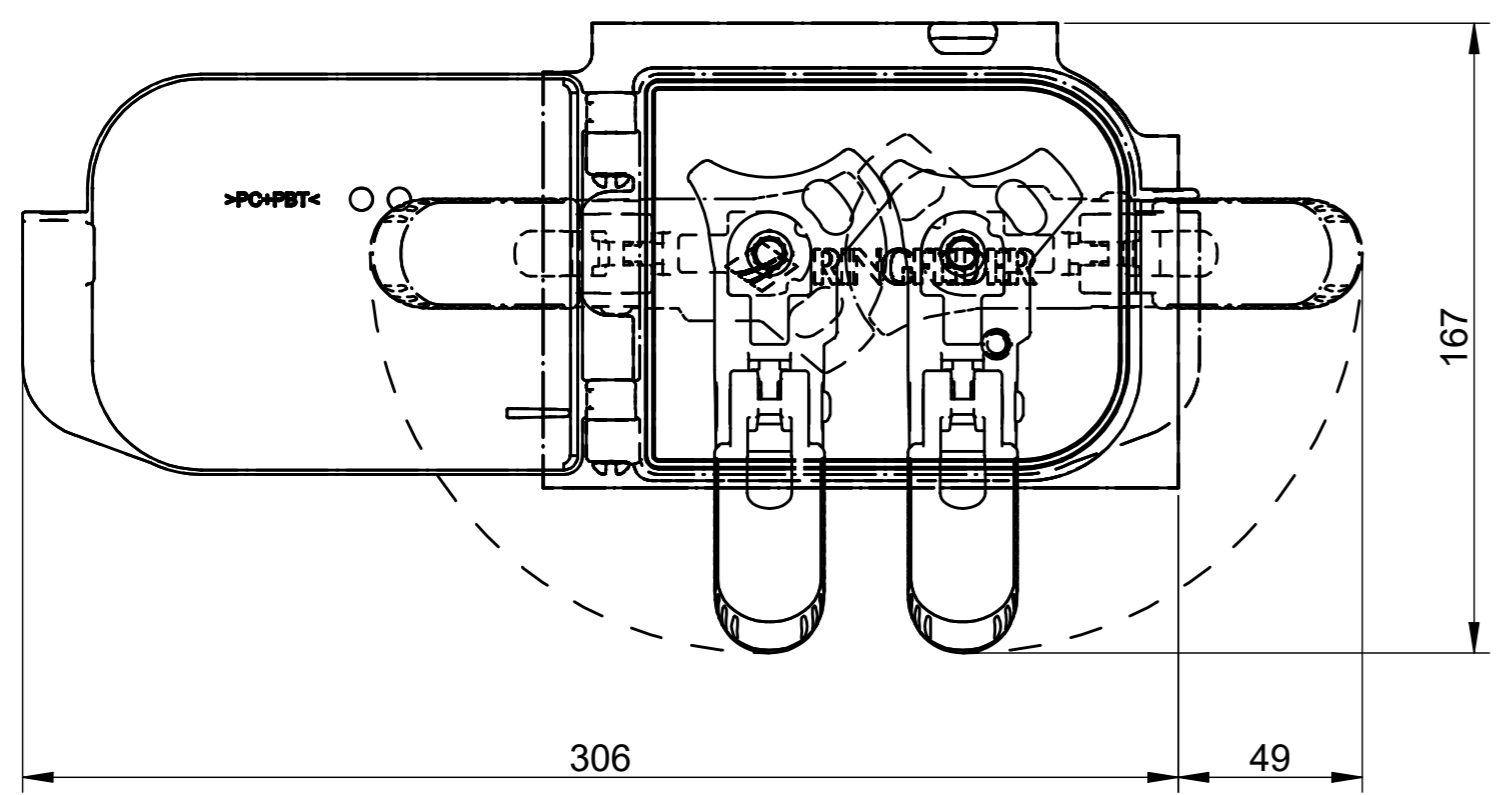
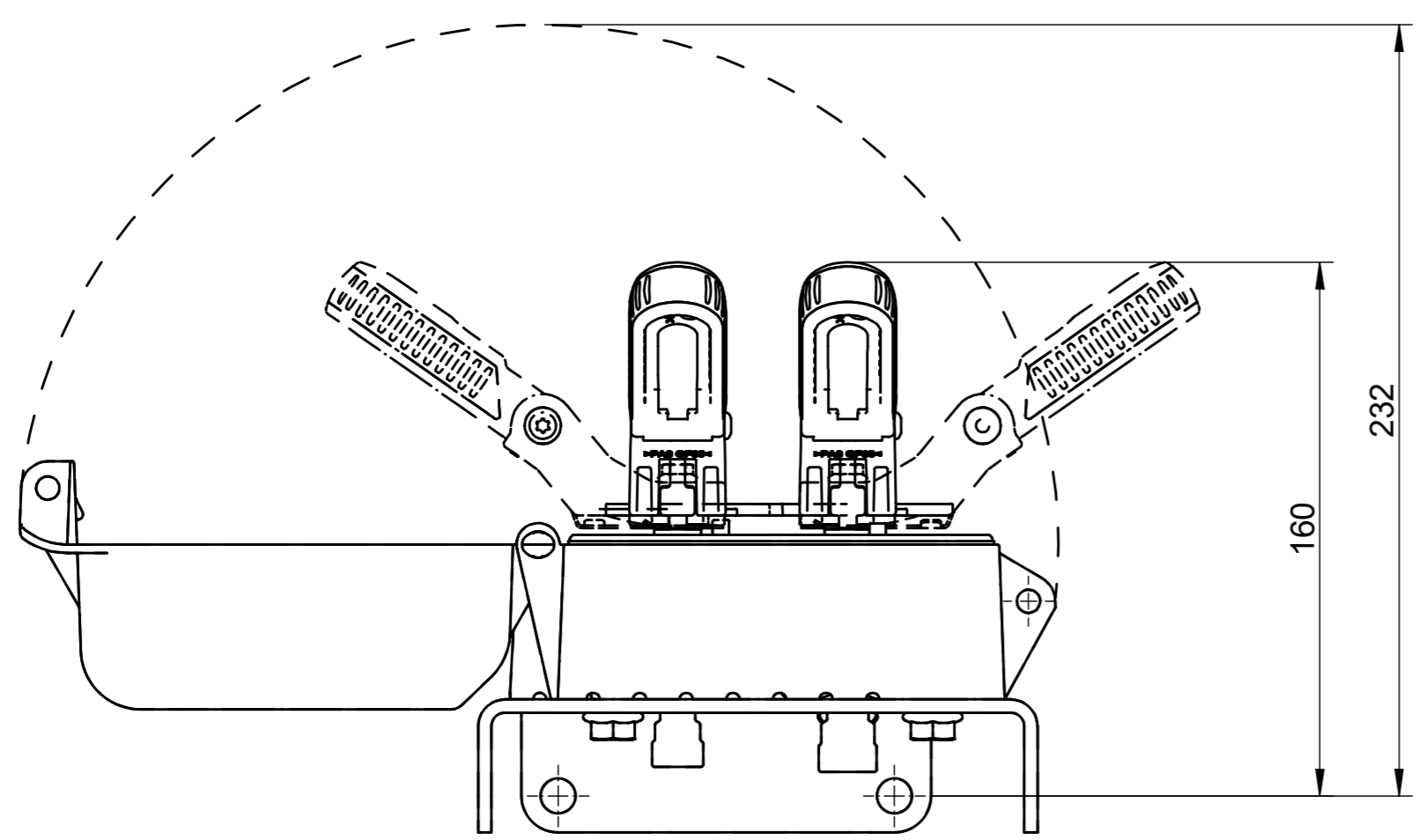


8 7 6 5 4 3 2 1

F E D C B A



Dimensions for information only. Tolerance ±5.

VBG GROUP		Modified Date	Modified by	Modification No.	Issue
		2021-06-07	HB	13600	a
RF valve box kit		3D Model No.	Engineer		Drafted by
		15990710	HB		HB
Sheet Size	Scale	Projection	Drafting Date	Drafted by	
A2	1:2		2021-06-07	HB	
Stage		Drawing No.			
P		15990710 (F) INFO			

This drawing is the property of VBG Group AB and is protected in accordance with prevailing law. Changes must be made in CAD-program, this concerns both 2D & 3D.

8 7 6 5 4 3 2 1