

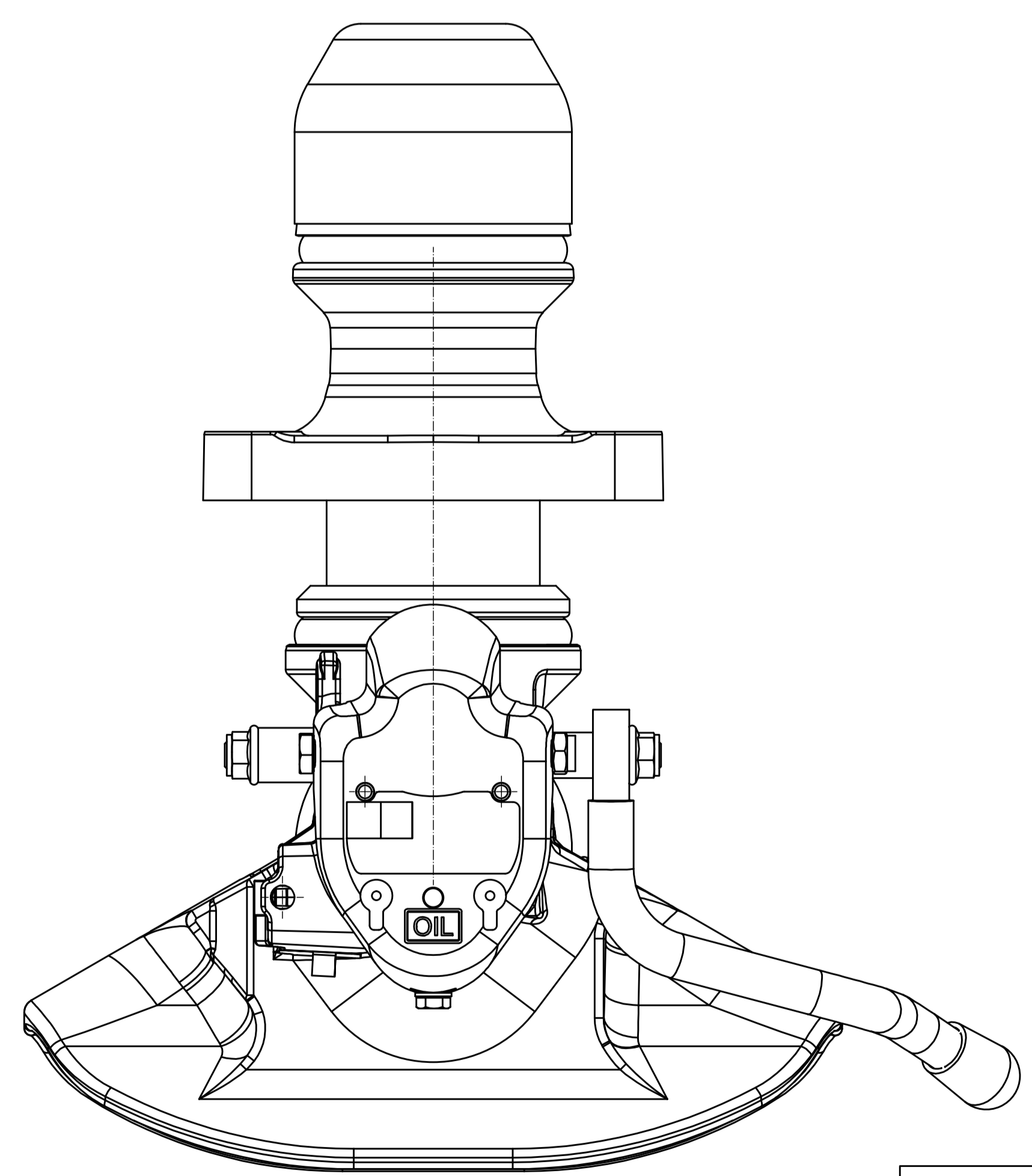
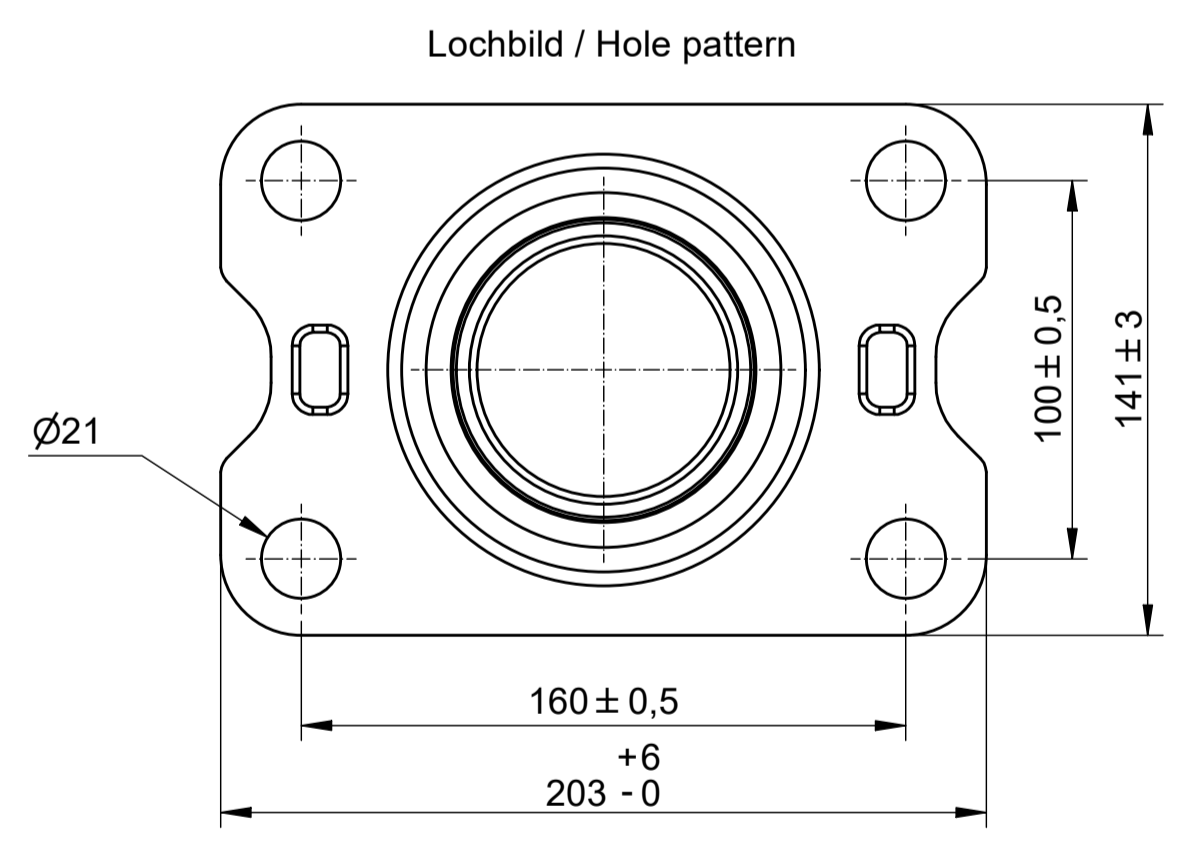
Identification plate

RINGFEDER
RF50 B
 Zur Verbindung mit Zugösen Ø50 DIN 74053 oder ISO 1102

E11 55R - 01 6289 Fabr. Nr. XXXXXX Bj. YY/WW

D	200kN	D:	135	135	135	kN
S	1000	S	1000	2000	2500	kg
V	75	V	75	63	50	kN

Class: C50-X
 10090270 Made in Sweden



Winkelausschläge der Zugöse D50:
 Angle of of drawbar eye:

Horizontal ± 90° min
 Vertikal ± 20°
 Axial 360° bei einem Mindestdrehmoment von 100 Nm
 with a minimum torque of 100 Nm

Fastening torques according to mounting instruction
 Anzugsmomente gemäß Montageanleitung

RINGFEDER		Modified Date	2021-03-31	Modified by	JL	Modification No.	13001	Issue	b
		3D Model No.	15990556	Engineer	HBH				
VBG GROUP		Sheet Size	A1	Scale	1:2	Production	2019-12-16	Drawn by	HBH
		Description	RF50 B	Stage	P	Drawing No.	15990556(F) Info		

This drawing is the property of VBG Group AB and is protected in accordance with prevailing law. Changes must be made in CAD program; this concerns both 2D & 3D.