

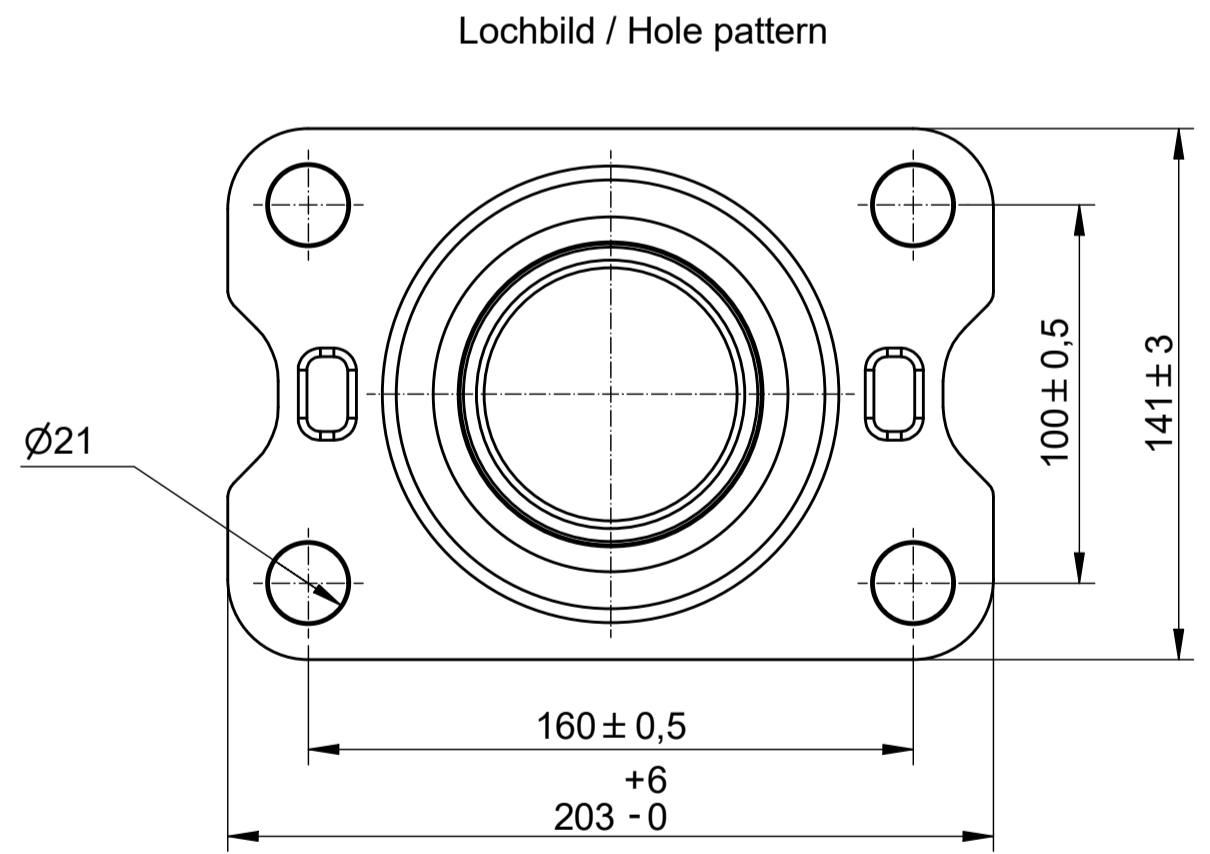
Identification plate

RINGFEDER
RF50 AM BR
 for connection with drawbar eye Ø50 DIN 74053 or ISO 1102

① 55R - 01 10486 Serial No. XXXXXX Year YY/WW

D	320 kN	D	135	Alt 1:	135	Alt 2:	170	kN
S	1000	S	2000	1000	kg			
V	75	V	63	60	kN			

Class: C50-X
 10090560 Made in Sweden



Winkelausschläge der Zugöse:
 Angle of drawbar eye:

Horizontal ± 90° min
 Vertikal ± 20°
 Axial 360° bei einem Mindestdrehmoment von 100 Nm
 with a minimum torque of 100 Nm

Fastening torques according to mounting instruction
 Anzugsmomente gemäß Montageanleitung

RINGFEDER		Modified Date	2021-03-04	Modified by	JL	Modification No.	13001	Issue	a
		3D Model No.	15990616	Engineer	HBH				
VBG GROUP		Description	RF50 AM BR	Stage	P	Drawing No.	15990616(F) Info	This drawing is the property of VBG Group AB and is protected in accordance with prevailing law. Changes must be made in CAD program, this concerns both 2D & 3D.	
		Sheet Size	A1	Scale	1:2	Production	2021-02-08	Drawn by	HBH