

RINGFEDER®
Bearing bush kit
404 AUS/5025 NZ/4025 NZ





EN Installation



EN Dismantling



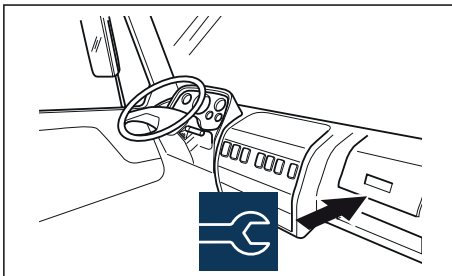
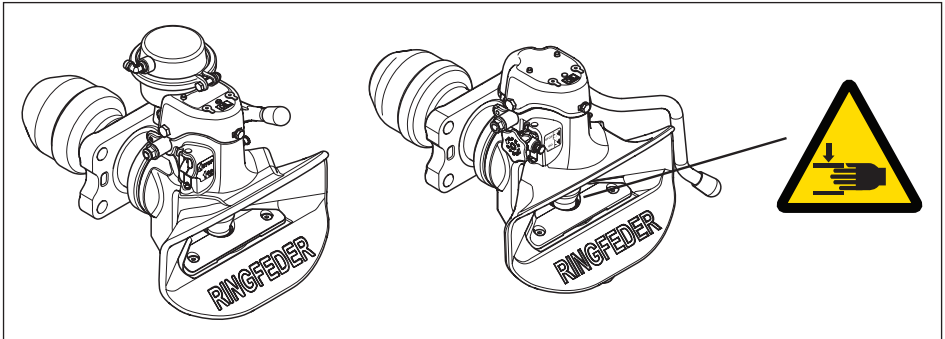
EN Function check



EN Pinch point!

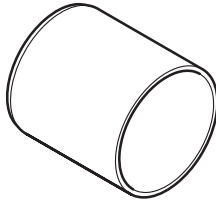
EN General

Identify all parts before installation. Installation and service shall be carried out carefully and professionally.



404 AUS/5025 NZ

15991152



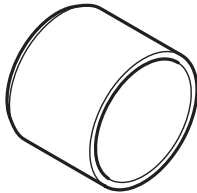
x2



x1

4025 NZ

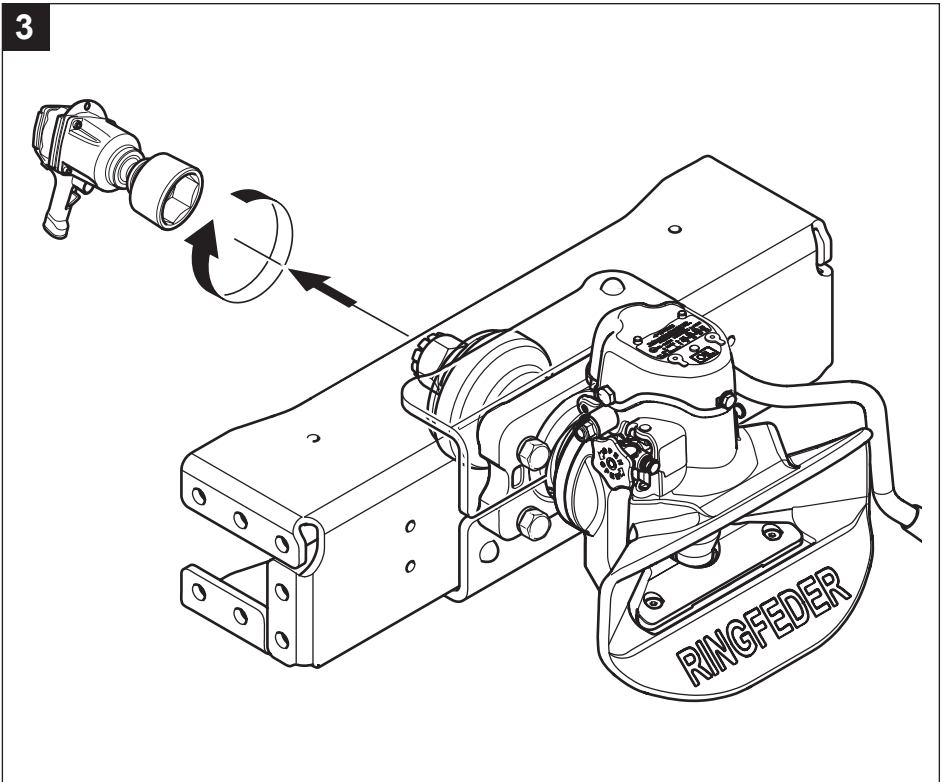
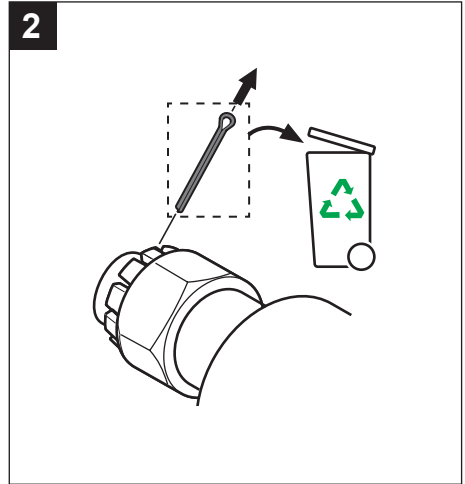
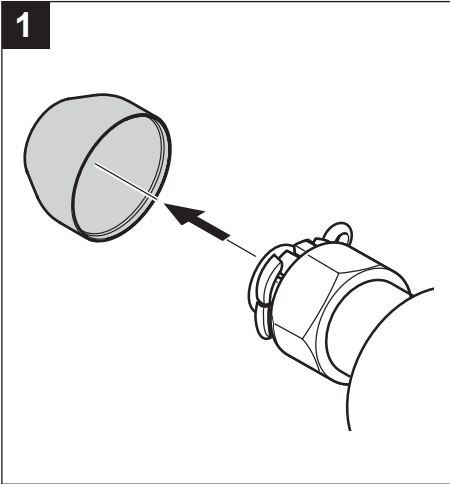
15991153



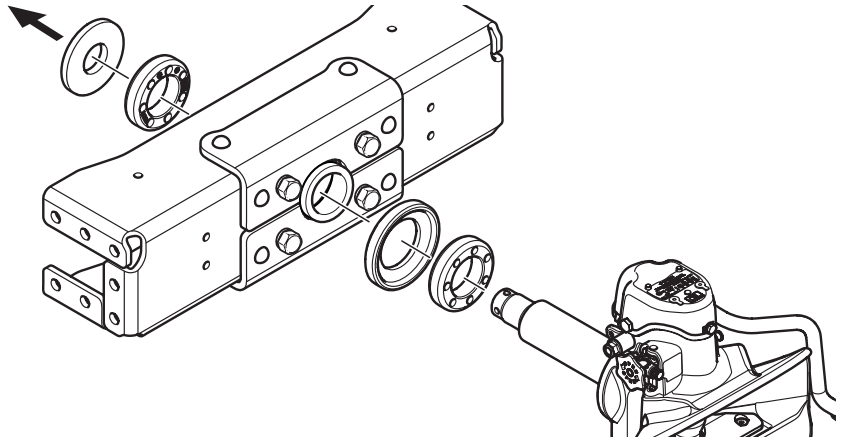
x2



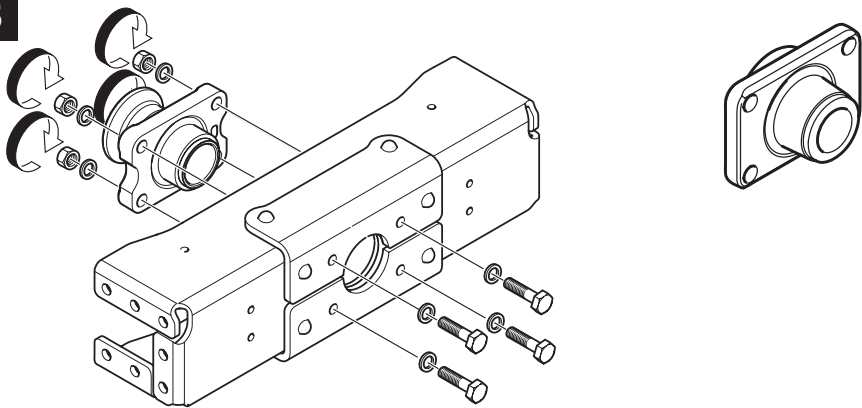
x1



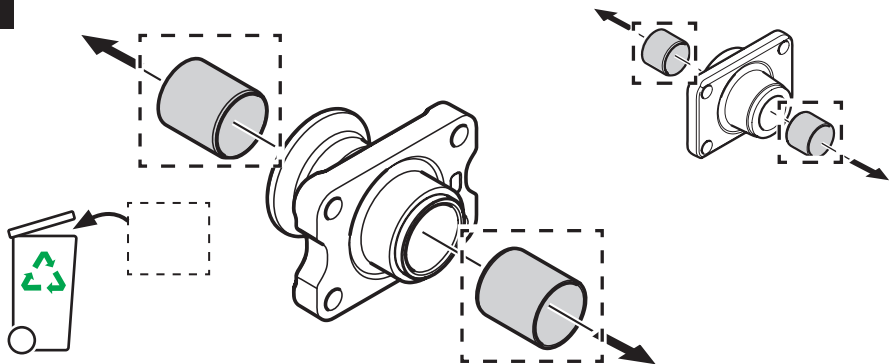
4

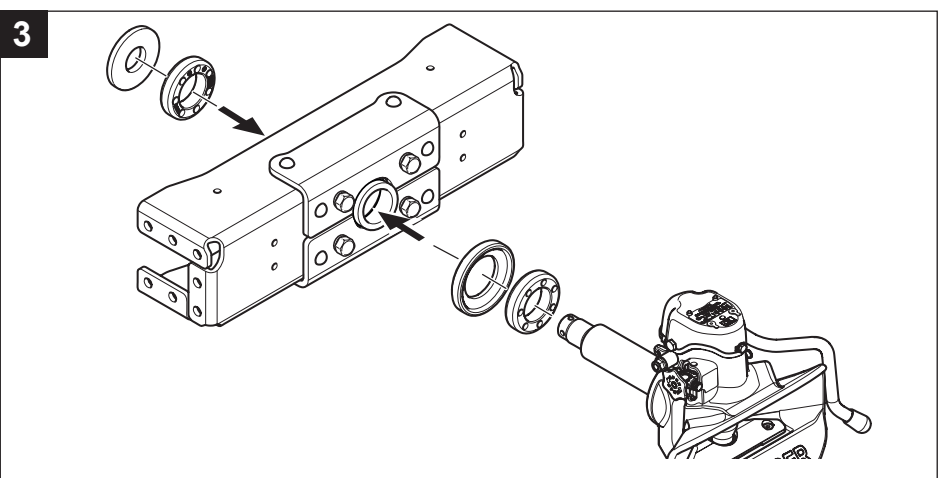
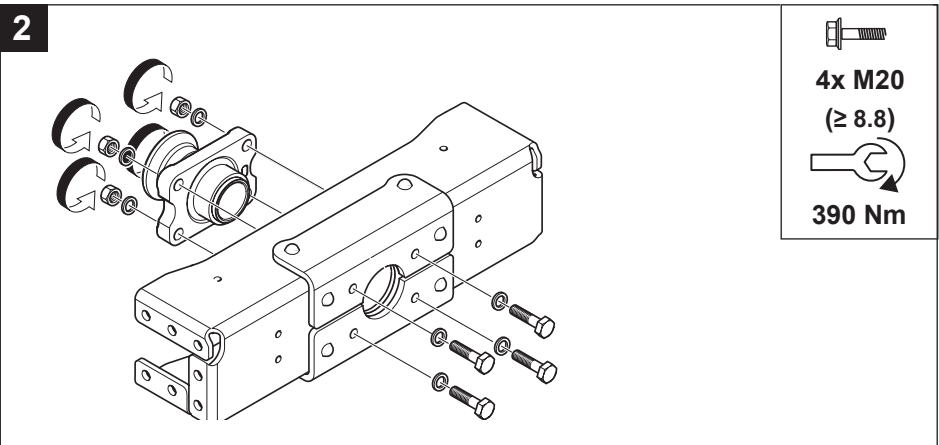
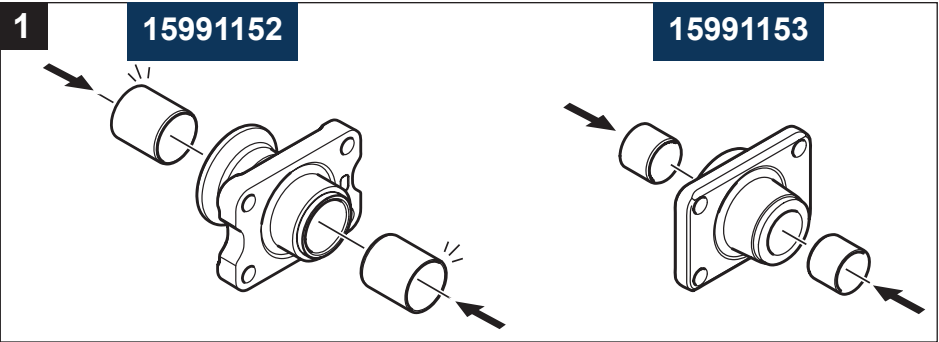


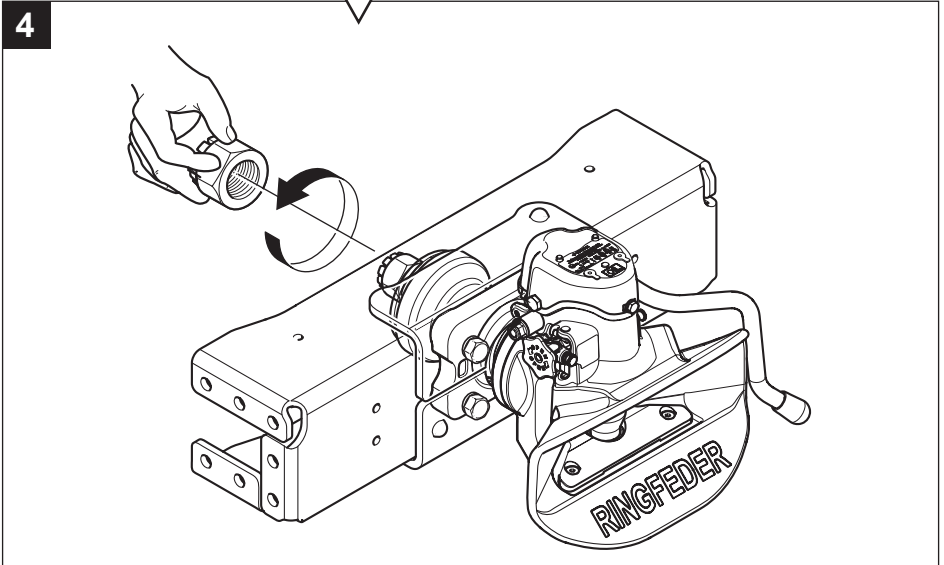
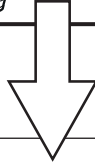
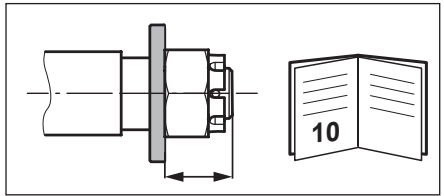
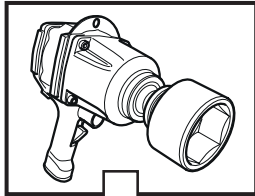
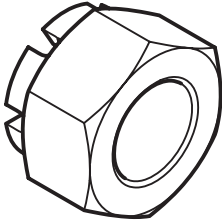
5



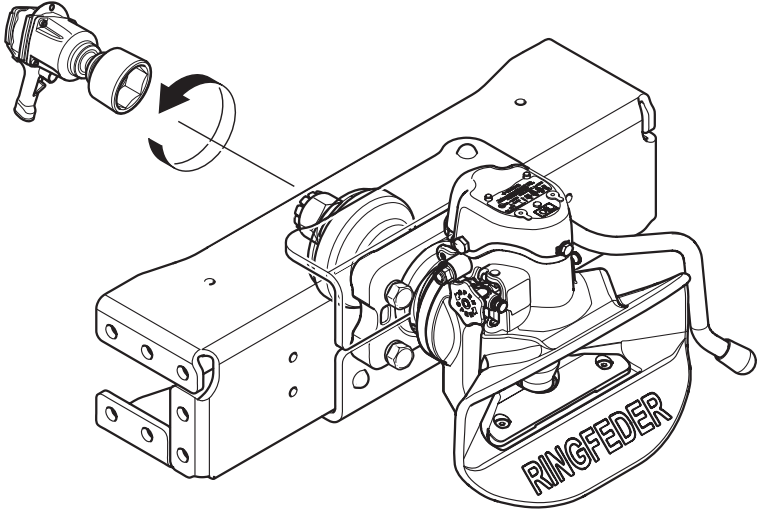
6





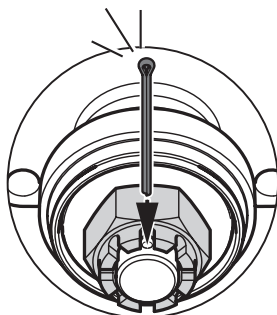
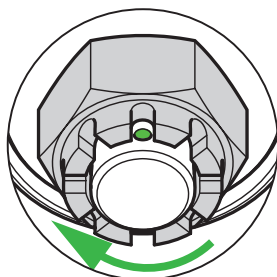
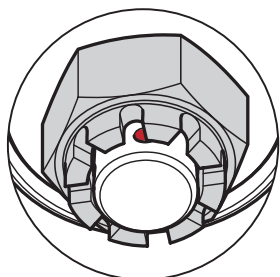


5

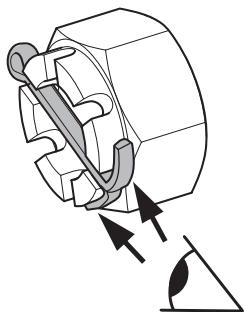


| | | |
|-------------------------------|------------------------|---------------------------|
| | | |
| <p>404 AUS/5025 NZ</p> | <p>M 45 x 3</p> | <p>850 (±50Nm)</p> |
| | <p>M 45 x 3</p> | |
| <p>4025 NZ</p> | <p>M 45 x 3</p> | <p>550 (±50Nm)</p> |

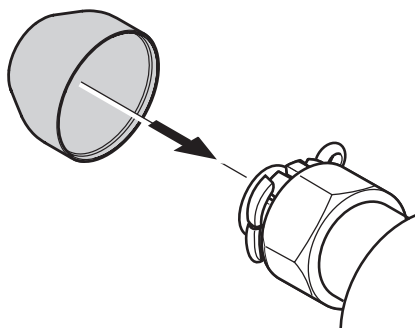
6

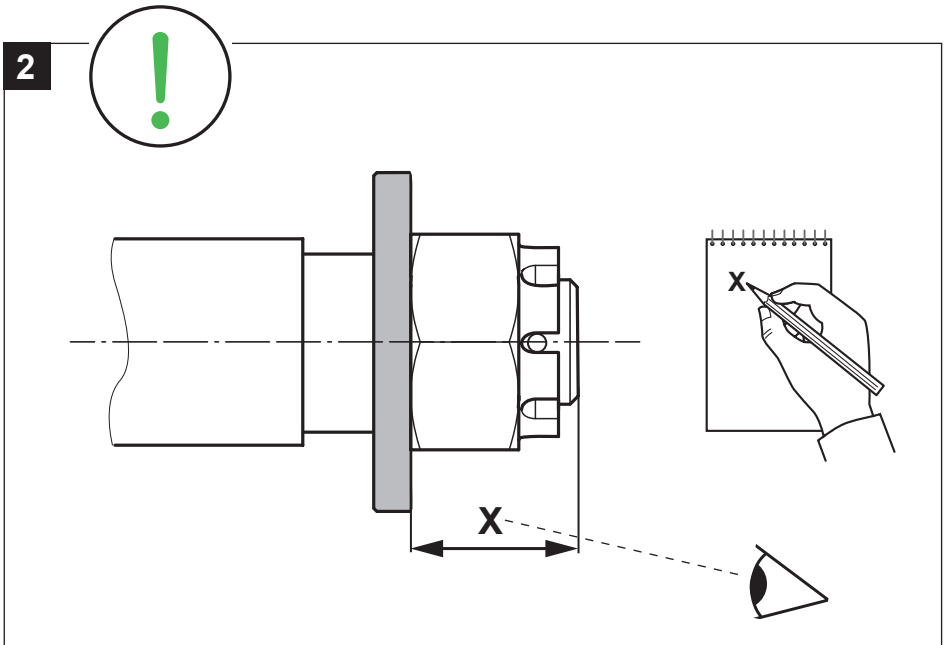
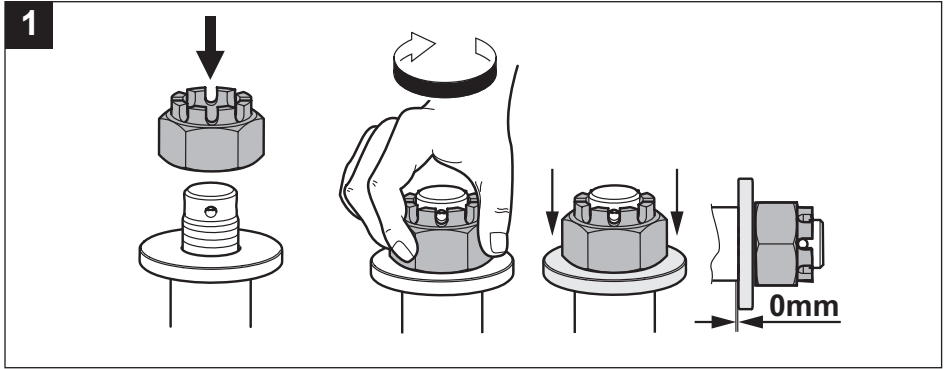
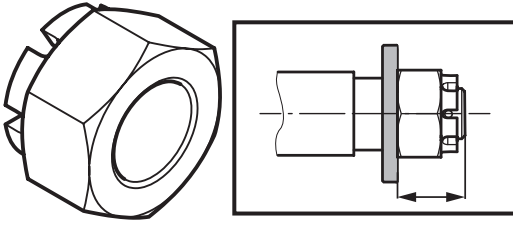


7

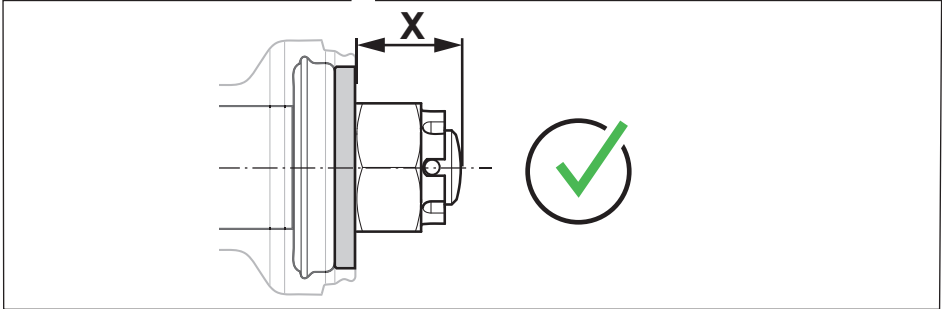
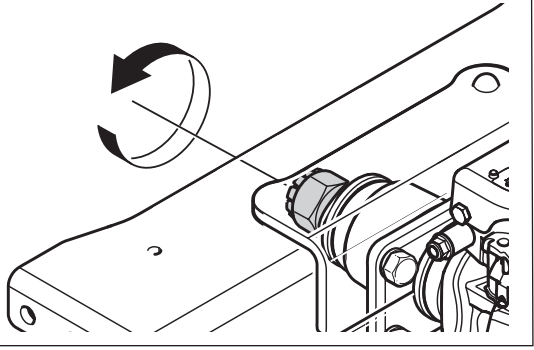
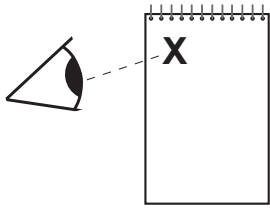


8

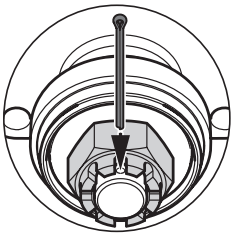
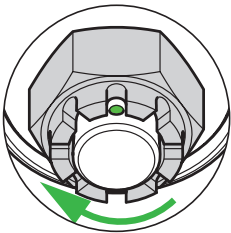
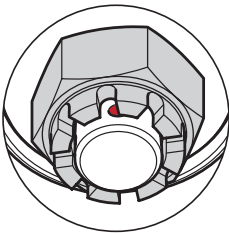




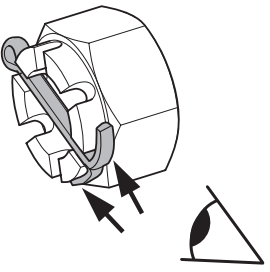
3



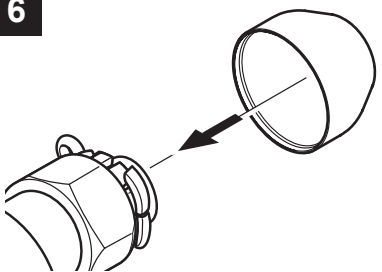
4



5

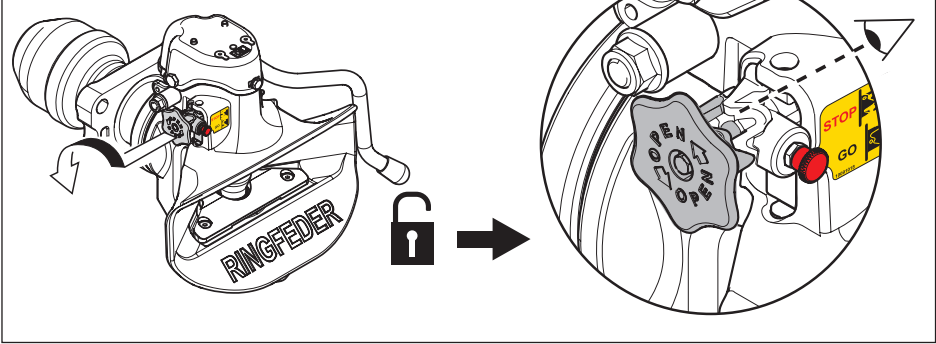


6

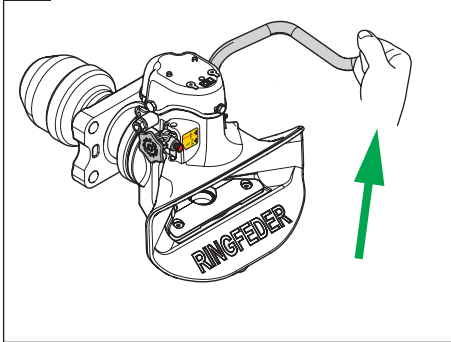




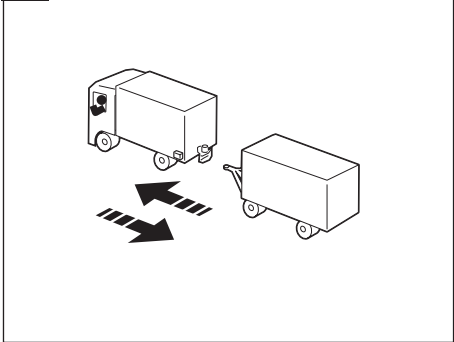
1



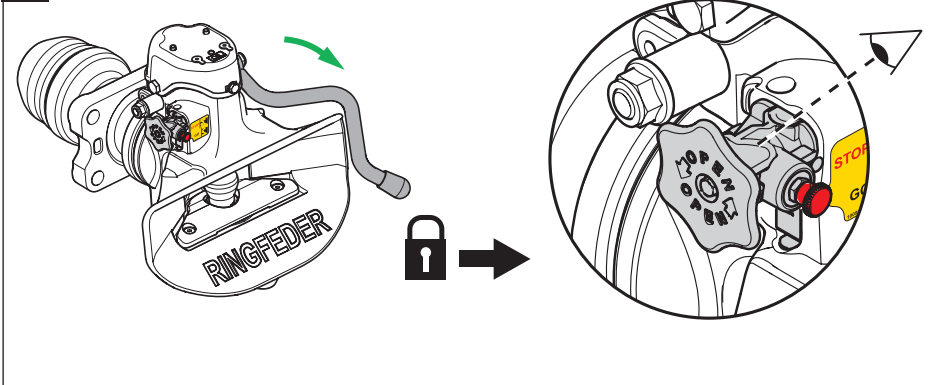
2



3

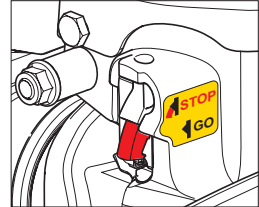
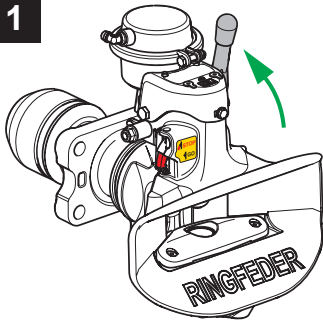


4

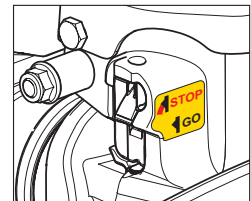
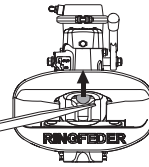
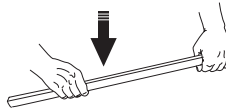
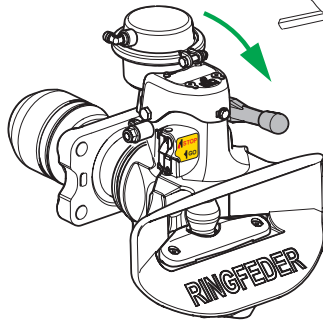




1



2





Produced in a certified company

VBG GROUP TRUCK EQUIPMENT GMBH · Girmesgath 5 · D-47803 Krefeld
www.ringfeder-rf.com

 MEMBER OF VBG GROUP